

Mountain Tunneling Projects

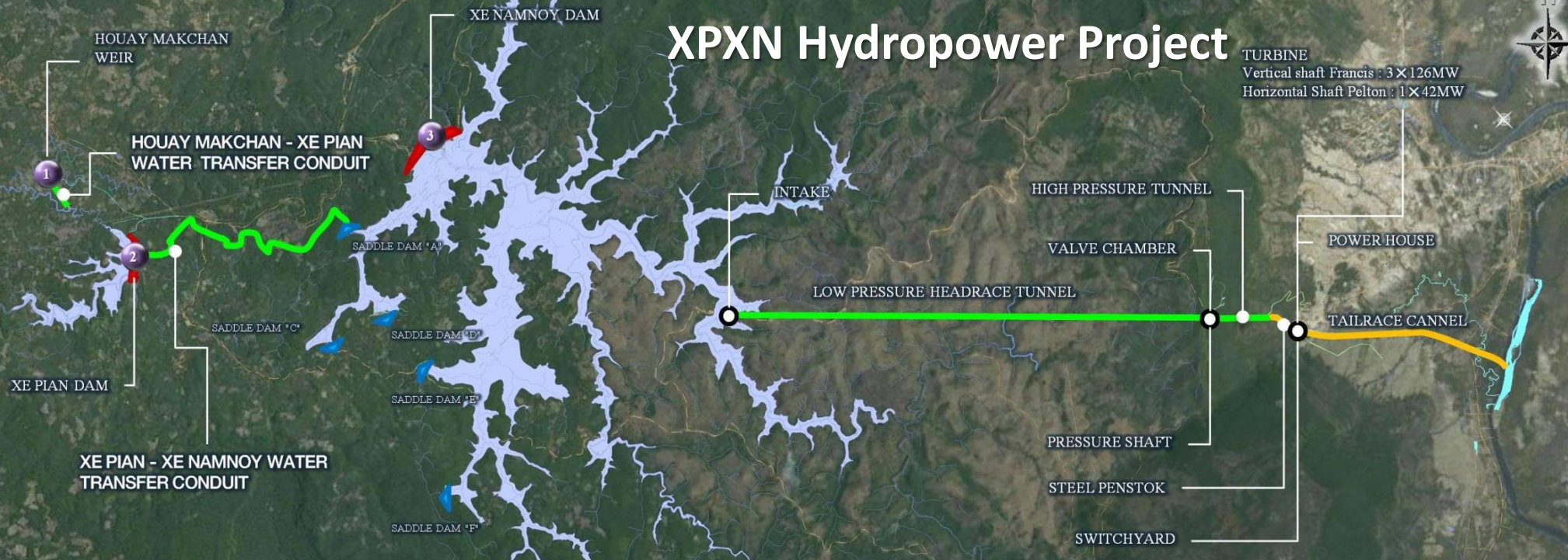


Dr. Aphichat Sramoon

President TUTG

27 August 2014

XPXN Hydropower Project



TURBINE
 Vertical shaft Francis : 3 × 126MW
 Horizontal Shaft Pelton : 1 × 42MW

Houay Makchan Weir
 • Tyrolean Weir
 • Spillway

Low Pressure Headrade Tunnel
 • Length=13.6km, D=4.4~5.0m

Surge Shaft
 • Length=217m, D=8.0 & 14.0m

Steel Penstock
 • Length=732m, D=3.6m

Xe Pian Dam
 • Type:CGD+CCRD+ECRD

Xe Namnoy Dam
 • Type : CCRD

Vertical Shaft
 • Length=485m, D=4.4m

High Pressure Headrace Tunnel
 • Length=1,620m
 • D=3.6~4.4m

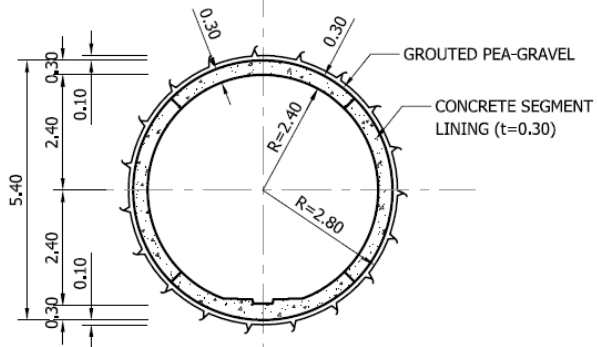
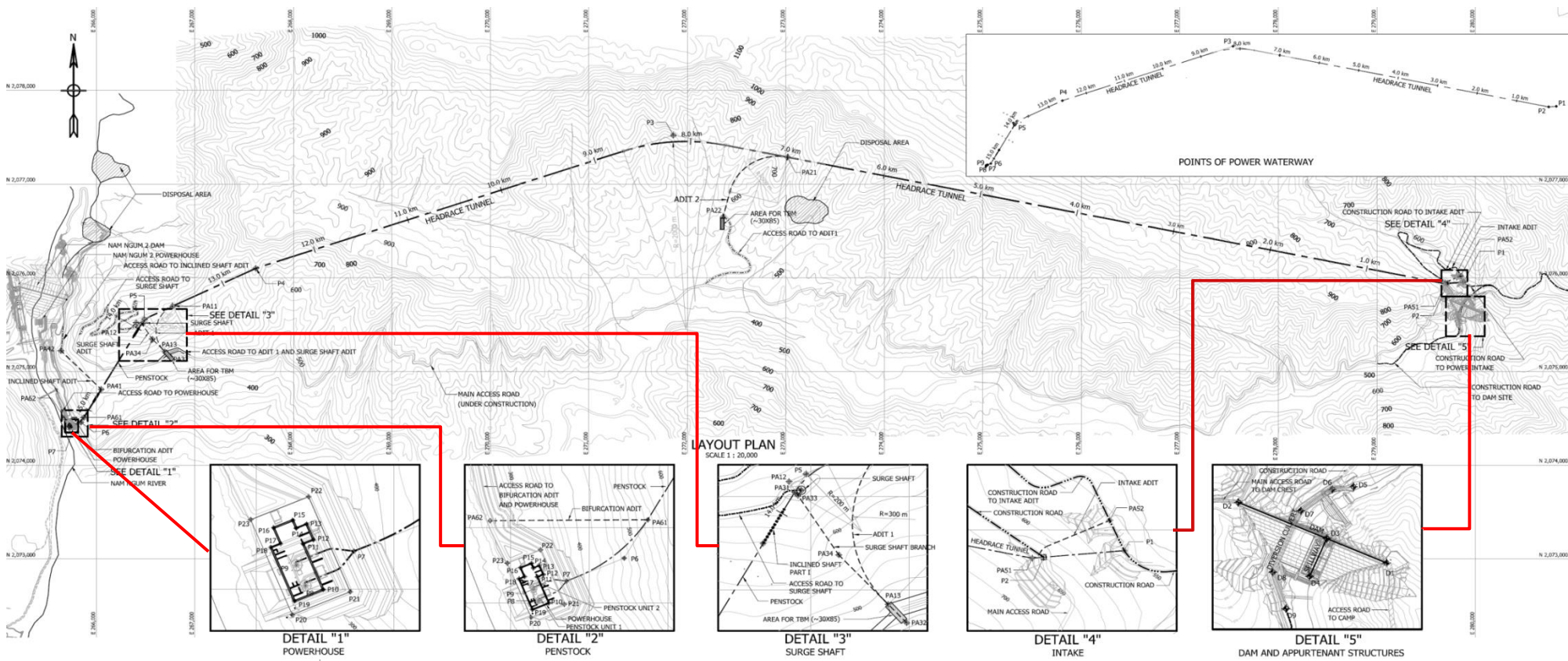
Power House
 • Francis: 126.0MW × 3EA
 • Pelton : 42.0MW × 1EA

Low Pressure Tunnel
Total Length 13.6 km. Diameter 4.4-5.0 m.



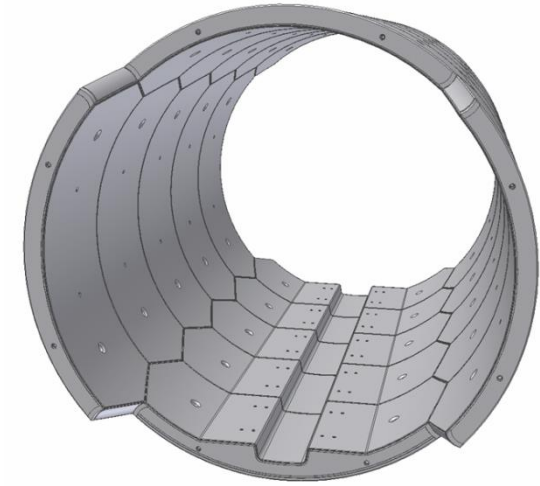
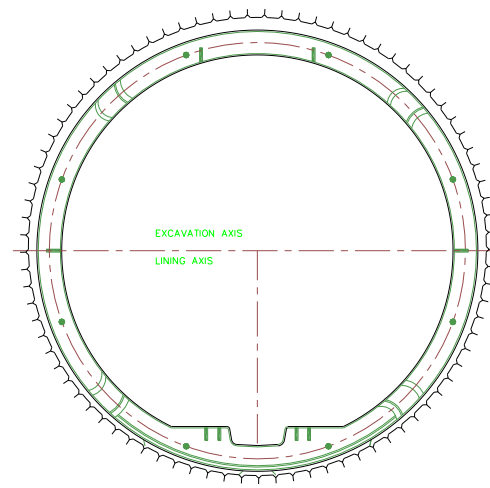
TBM Launching Tunnel

Tunnel for XPXN Hydropower Project



Headrace Tunnel
Total Length 14 km. Diameter 4.8 m.

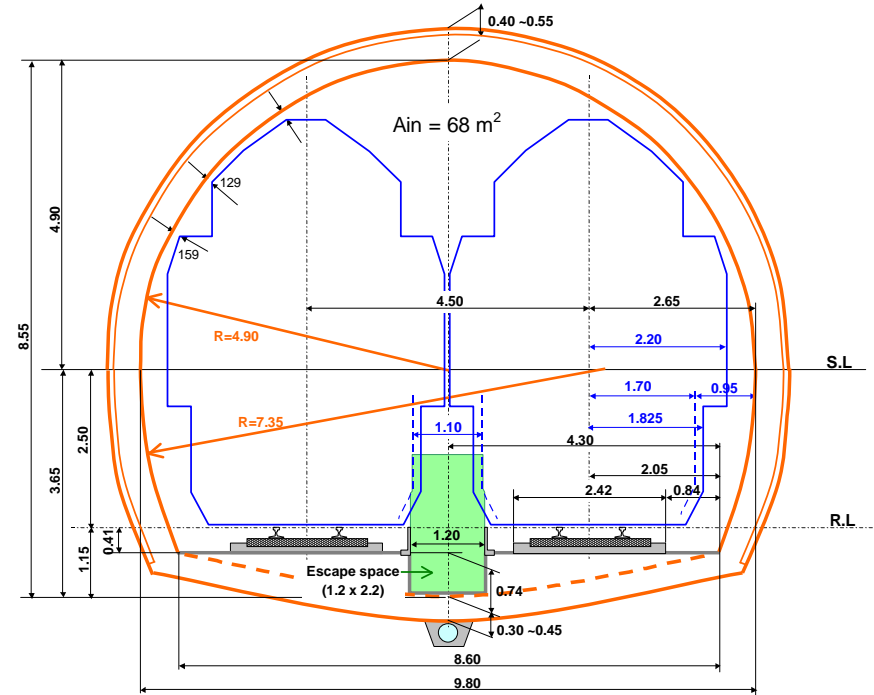
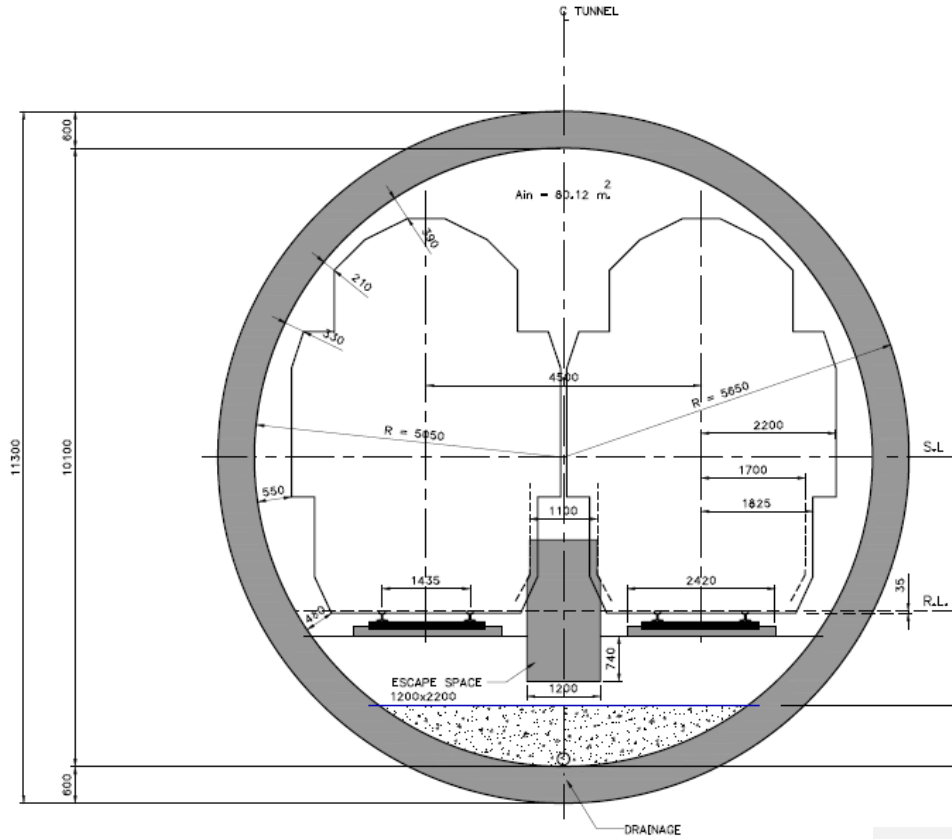
Tunnel for NB1 Hydropower Project



Maetaeng-Maengad
Total Length 27 km. Diameter 4 m.

Maengad-Maegaung
Total Length 21 km. Diameter 5 m.

Diversion Tunnels



Double Tracks and High Speed Train
Total Length 20 km.
Diameter 8.5-10.5 m.

Railway Tunnels